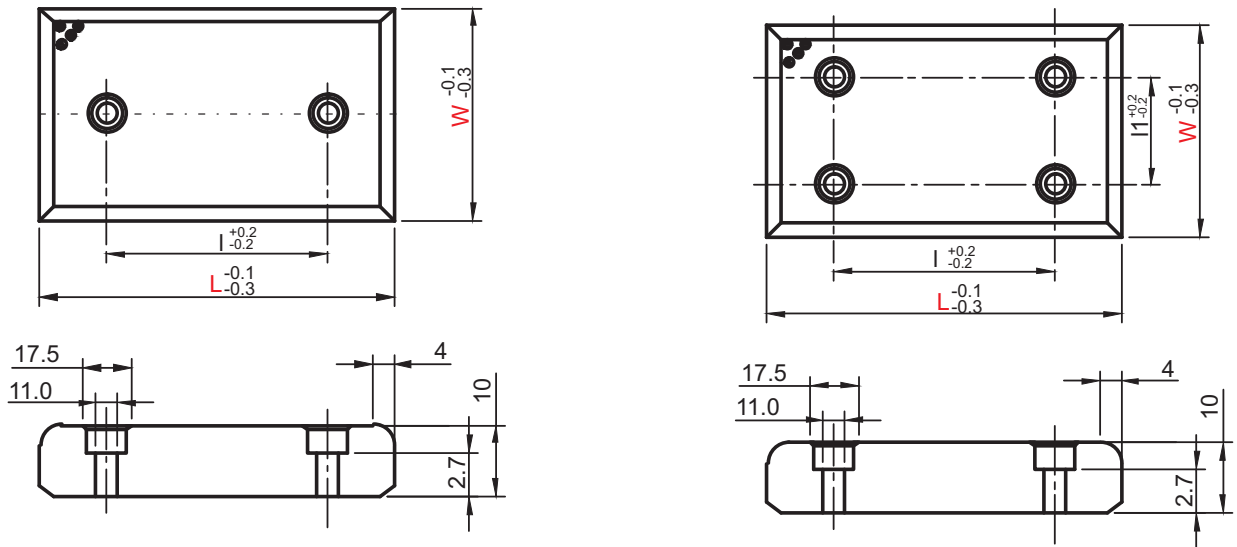


► Wear plate (PWPZ - PB)



Material :- Phosphorus Bronze



Type		W	I	l1	L
PWPZ-PB	4 bolt holes	100	50	50	100
			75		125
			100		150
			150		200
			200		250
			-		-
	4 bolt holes	125	-	50	-
			100		150
			150		200
			200		250
			-		-
			-		-
4 bolt holes	150	100	100	150	
		150		200	
		-		-	
		-		-	

Order Type :- Code X W X L

Example :- PWPZ-PB X 100 X 150

► Wear plate (PWPZ - PB)

Type		W	I	L
PWPZ - PB	2 bolt holes (W=28 - 75)	28	45	75
			50	100
			75	125
			100	150
			–	–
		38	45	75
			50	100
			75	125
			100	150
			–	–
		48	45	75
			50	100
			75	125
			100	150
			150	200
		58	45	75
			50	100
			–	–
			100	150
		75	25	75
	50		100	
	75		125	
	100		150	
	150		200	
	–		–	
	–		–	
	2 bolt holes (W=100 - 150)	100	50	100
			75	125
			100	150
			150	200
			200	250
			–	–
125		–	–	
		100	150	
		150	200	
		200	250	
150		–	–	
		100	150	
		150	200	
		–	–	
		–	–	

Order Type :- Code X W X L

Example :- PWPZ-PB X 100 X 150